

INBAO.no

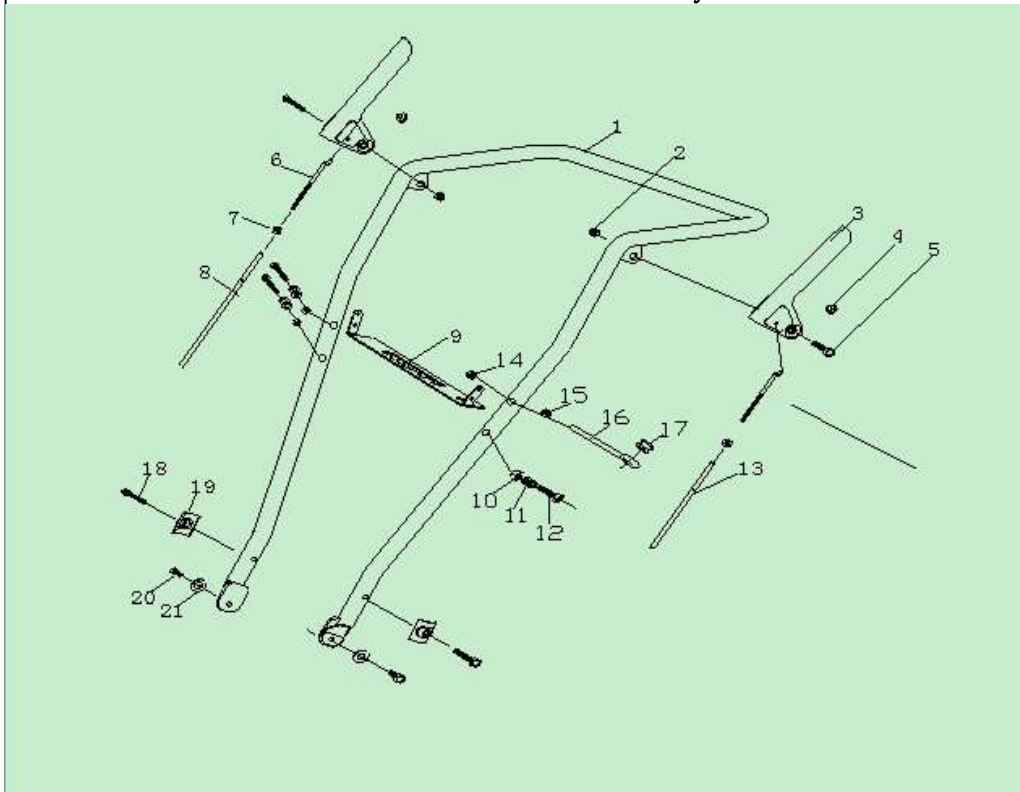
5,5 – 6,5 HK – 651Q



Inbao Retail Group AS

ZLST651Q(2013) Spare parts list

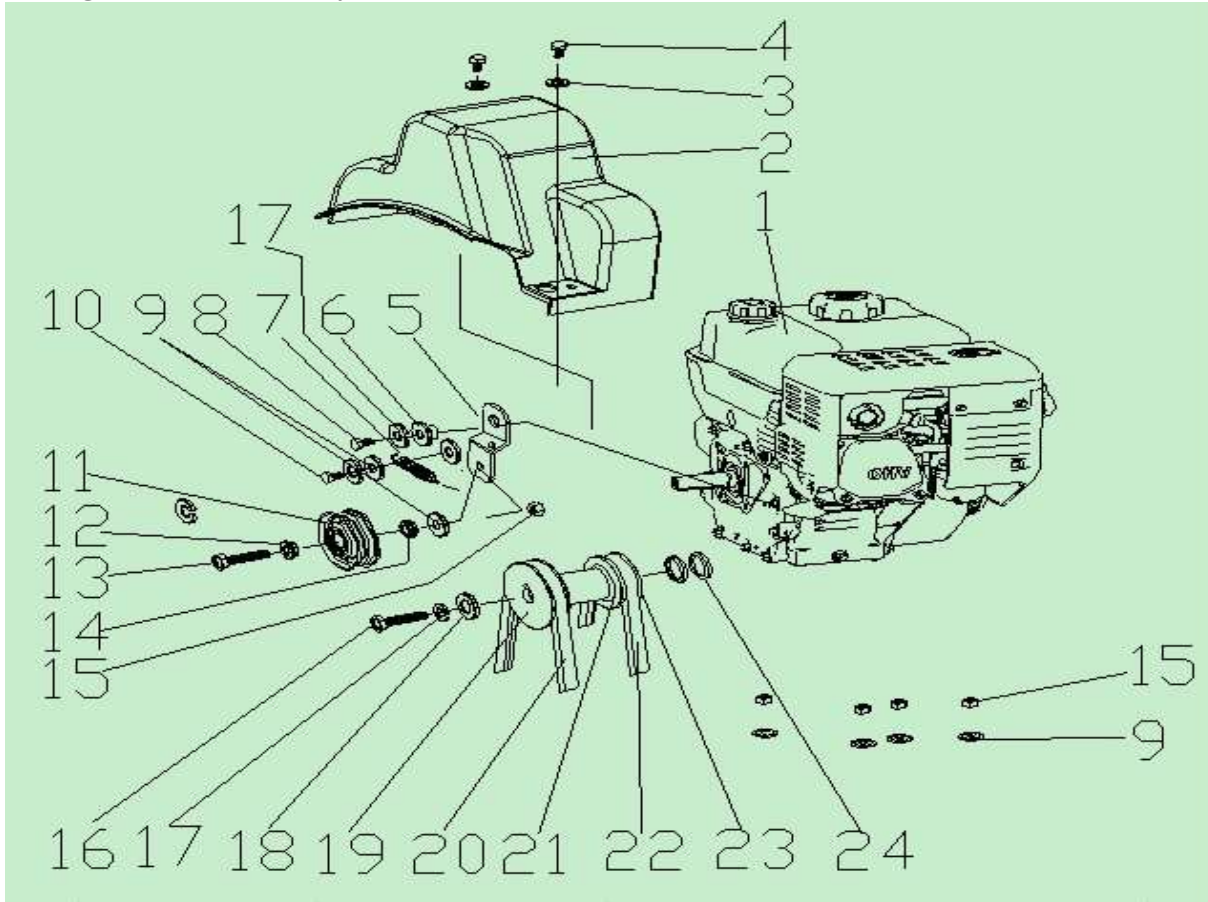
Handle and control assembly



No.	Code No.		name			
1	SJ-042		SJ handle kit			
2	NHLN-8		Non metal outside six angle locknut			
3	SJ-110		SJ handle			
4	SJ-047		SJ rubber cap			
5	HS-8*45		hexagon screw			
6	SJ-033B		SJ steel sticker			
7	XA-04-110		copper nut			
8	SJ-032		SJ steel rod 1			
9	SJ-109		SJ bounding plate			
10	NHLN-6		Non metal outside six angle locknut			
11	FB-6.5*12*0.7		gasket			
12	HS-6*35		hexagon screw			
13	SJ-033		SJ steel rod 2			
14	NHLN-8		Non metal outside six angle locknut			
15	HN-8		hexagon screw			
16	SJ-044B		SJ rudder rod			
17	SJ-044C		SJ rotating rod rubber ring			
18	HFB-8*40		hexagon screw			
19	SJ-028		The handrail rod shim			
20	HS-8*20		hexagon screw			
21	FB-8*22*2		flat gasket			

ZLST651Q(2013) Spare parts list

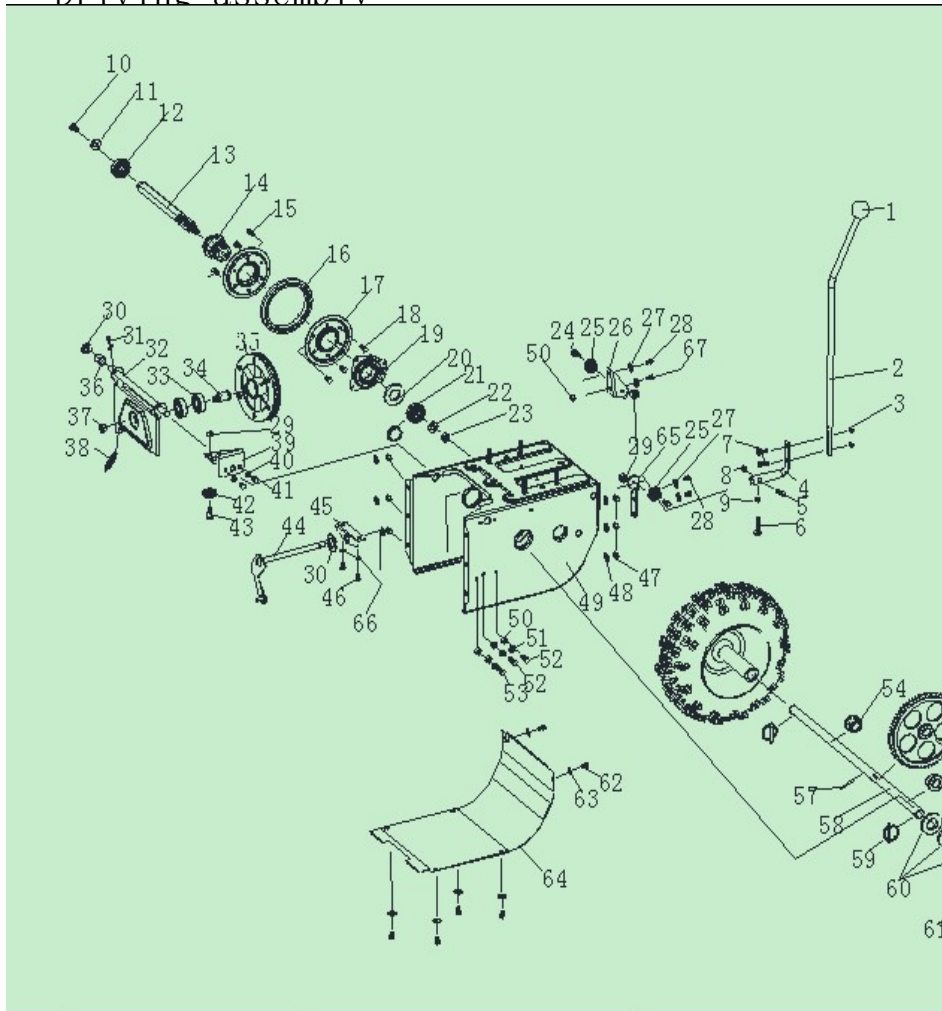
Engine assembly



No.	Code No.		name			
1	LC165		engine			
2	SJ-031		The belt wheel cover			
3	FB-6*16*1.5		flat gasket			
4	HS-6*12		hexagon screw			
5	SJ-045		Small tensioning plate			
6	SJ-046-1		Small tensioning plate pad			
7	SJ-035-1		Spring 3			
8	HS-8*20		hexagon screw			
9	FB-8*16*1.2		flat gasket			
10	HS-8*16		hexagon screw			
11	SX-11-170		small tensioning wheel			
12	SJ-008C		gasket			
13	HS-8*30		hexagon screw			
14	SX-11-170B		Small tensioning wheel pad			
15	NHLN-8		Non metal outside six angle locknut			
16	HFB-8*25		hexagonal bolt			
17	SW-8		spring washer			
18	FB-8*28*3		flat gasket			
19	SJ-049B		SJ main pulley			
20	LB4L-885		V type belt			
21	SJ-049-1		The small pulley washer			
22	TB-5M*750		synchronous belt			
23	SJ-049		SJ main toothed belt pulley			
24			output shaft gasket			

ZLST651Q(2013) Spare parts list

Driving assembly

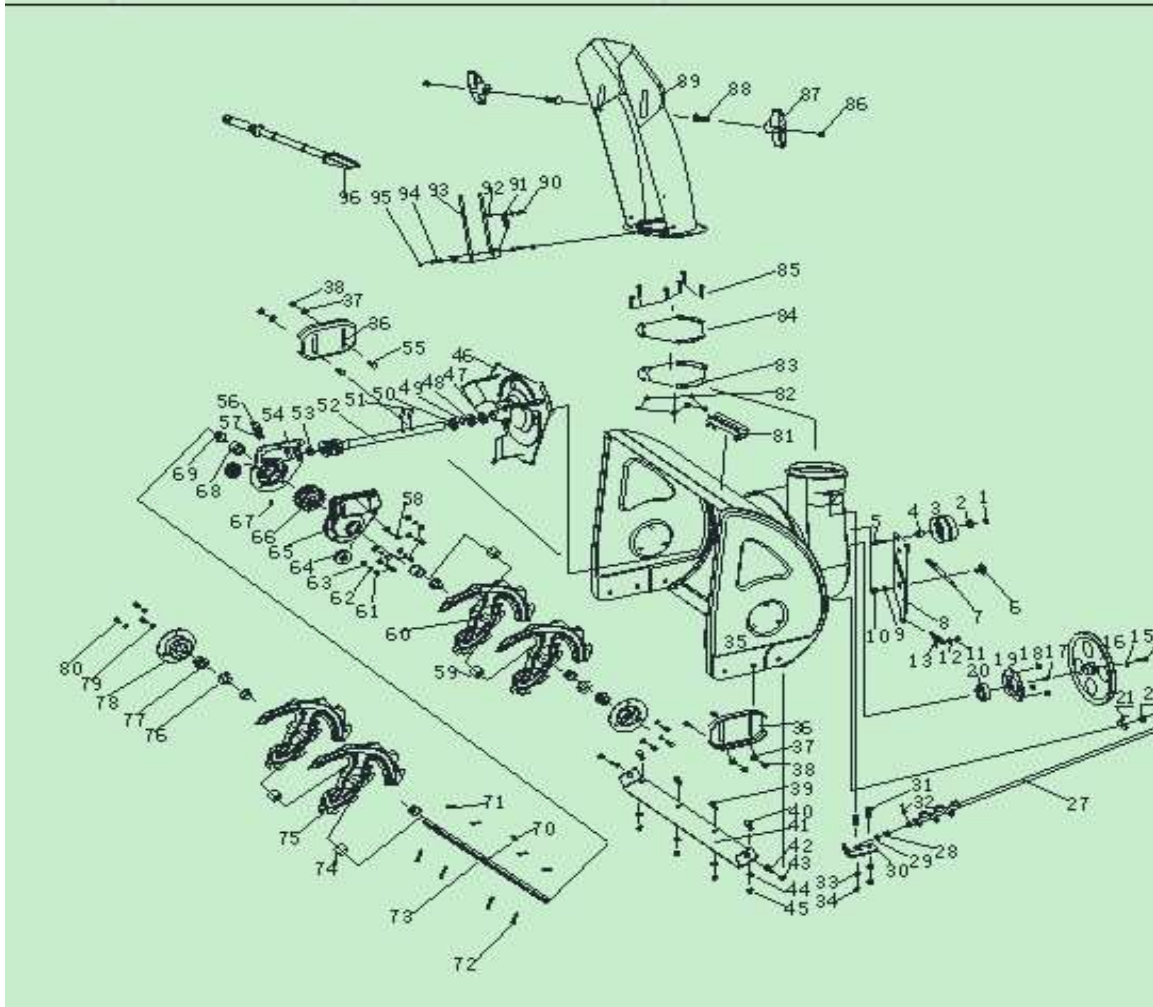


No.	Code No.		name	
1	SJ-308		The gear handle ball	
2	SJ-068A		SJ sticker	
3	NHLN-6		Non metal outside six angle locknut	
4	SJ-068B		SJ steel sticker sheet	
5	HS-6*25		hexagon screw	
6	HS-6*25		hexagon screw	
7	HES-6*20		socket head screw	
8	NHLN-6		Non metal outside six angle locknut	
9	HFN-6		flange nut	
10	HS-8*16		hexagon screw	
11	FB-8*28*2		flat gasket	
12	KBE-6203		deep groove ball bearing with spring	
13	SJ-005		Six angle gear shaft	
14	SJ-013C		change pulley	
15	HS-6*12		hexagon screw	
16	SJ-013D		rubber ring	
17	SJ-013A		Big washer	
18	HS-6*12		hexagon screw	
19	SJ-013B		shaft cap	
20	SR-35		Shaft circlip	
21	KBE-6203		deep groove ball bearing with spring	
22	FB-10*28*2		flat gasket	
23	NHLN-10		Non metal outside six angle locknut	
24	SJ-052		SJ hexagonal bolt 3	
25	SJ-016B		SJ cable pulley	
26	SJ-016A		SJ pulley mounting plate 1	
27	FB-6*12*0.7		flat gasket	
28	HS-6*12		hexagon screw	
29	HFN-6		flange surface nut	
30	FB-13*24*2		flat gasket	
31	CP-2.5*35		opening pin	
32	SJ-007		SJ belt pulley bracket	

33	BE-6203		deep groove ball bearing	
34	SJ-010B		Drive shaft pulley	
35	SJ-010A		SJ driving synchronous belt pulley assembly	
36	SJ-107		SJ sleeve	
37	NHLN-10		Non metal outside six angle locknut	
38	SJ-069		spring 6	
39	SJ-015		pulley plate 2	
40	FB-6*12*0.7		flat gasket	
41	HS-6*12		hexagon screw	
42	SJ-016B		SJ cable pulley	
43	SJ-052		SJ six angle screw 3	
44	SJ-040		shifting fork	
45	SJ-002		Rectangular block	
46	HS-6*12		hexagon screw	
47	NHLN-8		Non metal outside six angle locknut	
48	FB-8*16*1.2		flat gasket	
49	SJ-103		SJ gear box shell	
50	HFN-6		flange nut	
51	FB-6*12*0.7		flat gasket	
52	HS-6*30		hexagon screw	
53	HS-6*20		hexagon screw	
54	SJ-026		The end cap sleeve	
55	SJ-003		big gear wheel	
56	WK-5*7.5*19		woodruff key	
57	OSP-4*30		opening pin	
58	SJ-017		drive axle	
59	SJ-066		The spring pin assembly	
60	FB-19*38*1.5		flat gasket	
61	TC-13		tire	
62	HS-6*12		hexagon screw	
63	FB-6*12*0.7		flat gasket	
64	SJ-102		SJ transmission case cover plate	
65	SJ-014		SJ pulley mounting plate 3	

ZLST651Q (2013) Spare parts list

Auger Housing assembly



No.	Code No.		name	
1	NHLN-8		Non metal outside six angle locknut	
2	SJ-008C		SJ pad	
3	SJ-008		SJ large tight wheel 2(with bearing)	
4	SJ-008B		SJ sleeve	
5	HS-8*45		hexagon screw	
6	SJ-050		SJ hexagonal bolt 1	
7	SJ-032A		SJ spring 1	
8	SJ-023		SJ fixed plate	
9	FB-10*20*2		flat gasket	
10	NHLN-10		Non metal outside six angle locknut	
11	NHLN-8		Non metal outside six angle locknut	
12	FB-8*16*1.2		flat gasket	
13	SJ-037		spring 5	
14	HS-8*20		hexagon screw	
15	FB-8*28*2		flat gasket	
16	SJ-039		SJ large belt pulley	
17	FK-C6*17		square key	
18	NHLN-8		Non metal outside six angle locknut	
19	SJ-004		Round bottom cover	
20	BE-UC204		Spherical ball bearing	
21	SJ-300		Belt guard	
22	NHLN-8		Non metal outside six angle locknut	
23	SHS-6*10		cross head screw	
24	FB-6*18*1.5		flat gasket	
25	SJ-310		SJ hand set	
26	FB-10*20*1		flat gasket	

27	SJ-044A		rocker	
28	SJ-011A		The mounting plate plastic ring	
29	FB-10* ϕ 20*2		flat gasket	
30	SJ-011		Small mounting plate	
31	CB-8*18		Cup head square neck screw	
32	CP-2. 5*25		cotter pin	
33	FB-8*16*1. 2		flat gasket	
34	NHLN-8		Non metal outside six angle locknut	
35	SJ-104		SJ box	
36	SJ-111		SJ skid	
37	FB-8*22*2		flat gasket	
38	NHLN-8		Non metal outside six angle locknut	
39	CB-8*16		Cup head square neck screw	
40	CB-8*20		Cup head square neck screw	
41	SJ-006		SJ long baffle plate	
42	CB-8*16		Cup head square neck screw	
43	NHLN-8		Non metal outside six angle locknut	
44	FB-8*22*2		flat gasket	
45	NHLN-8		Non metal outside six angle locknut	
46	SJ-001		SJ Fan	
47	OS-32*20*6		grease seal	
48	BE-51104		single direction thrust ball bearing	
49	SJ-057		spacer ring	
50	BE-6904		deep groove ball bearing	
51	FRP-6*30		coiled spring pin	
52	SJ-030		SJ driving worm gear shaft	
53	BE-16001		deep groove ball bearing	
54	SJ-101A		SJ bottom base	
55	CB-8*20		Cup head square neck screw	
56	RM-5HP		Oil nipple	
57	WG-10		corrugated gasket	
58	SHS-6*25		hexagonal bolt	
59	22-SX-11-300		The output shaft sleeve	
60	30-SX-11-125		right auger	
61	SHS-6*20		hexagonal bolt	
62	SW-6		spring washer	
63	FB-6*12*0. 7		flat gasket	
64	OS-30*19*7		grease seal	
65	SJ-101		SJ upper base	
66	SJ-038		SJ worm gear	
67	SHS-5*12		Cross head bolt	
68	SJ-108		SJ output shaft sleeve	
69	SJ-019		Drive shaft sleeve	
70	WK-5*7. 5*19		woodruff key	
71	NJ-02		Pin buckle	
72	NJ-01		The output shaft bolt	
73	22-SX-11-134		output shaft	
74	22-SX-11-301		The output shaft sleeve	
75	30-SX-11-135		left auger	
76	FB-19*38*1. 5		flat gasket	
77	SJ-020		axle sleeve	
78	SJ-024		bearing cap	
79	FB-8*16*1. 2		flat gasket	
80	HS-8*10		hexagon screw	
81	SJ-151		shovel bracket	
82	NHLN-6		Non metal outside six angle locknut	
83	SJ-021		Washer	
84	SJ-021C		Washer	
85	HS-6*16		hexagon screw	
86	NHLN-8		Non metal outside six angle locknut	

87	SJ-138		handle locking	
88	CB-8*25		Cup head square neck screw	
89	SJ-140		snow chute	
90	HS-6*16		hexagon screw	
91	SJ-036		spring 4	
92	HFN-6		The six angle flange surface nut	
93	SJ-012		Bending rod set	
94	HS-6*16		hexagon screw	
95	NHLN-6		Non metal outside six angle locknut	
96	SJ-150		Plastic shovel	